

# The Gigaduct System

## Protecting your fibre, for secure communication

- Gigaduct is a flexible duct system for fibre optic cables specifically produced and designed for Global Markets.
- The system is fully enclosed protecting the fibre from dirt and dust, the duct is strong enough to protect cables against the most rigorous of conditions.
- It is manufactured from a Halogen free, flame-retardant UL94/V0 plastic. The product is designed to meet material specifications required throughout Europe.
- The system is easy to assemble. The only tools required are a drill, a screwdriver and a saw to cut the channels to length. The system is designed for speed of installation and minimum labour for the installer.
- The easy access covers allows fibre optic cables to be installed or removed at any time without the need to disconnect the whole system.
- The system is extremely adaptable and will evolve to suit this demanding market. Currently it is supplied in four sizes: 50mm x 50mm, 100mm x 100mm, 200mm x 100mm & 300mm x 100mm.
- GigaCom offer a complete design package to assist you with the layout of your ducting system.



Contact information:

Gigacom Türkiye

Sales Office :Haluk Türksöy Arkası Sok. No:2 K:1 D:3  
Altunizade / Üsküdar / İstanbul TR-34662

Tel : +90(216) 474 13 14  
Fax : +90(216) 474 76 77  
E-mail : info@gigacom-tr.com  
Web : www.gigacom-tr.com

organising fibrespace

# GigaCom

*The company is committed to delighting the customer and excelling in each of three key area's.*

## Service

A demanding market requires fast solutions, to meet this challenge we believe that:

- All standard product should be available within 24 hours from order.
- If special solutions are required they will be available in 14 days.

## Product

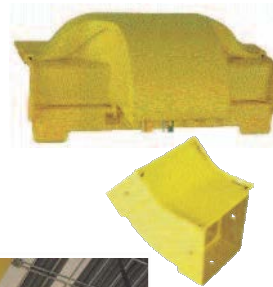
Technically advanced communications equipment needs superb ancillary support therefore:

- We will design product that surpasses the latest standards at the lowest possible cost.
- Continuous improvement will be at the forefront of our design strategy to continually innovate in our market.

## People

To support the ideals of the company and the future needs of the customer we will invest in:

- Relationships with our customers so we anticipate their requirements and have a solution available before it is requested.
- Our people, will be competent to meet and surpass the requirements of the customer.



Contact information:

Gigacom Türkiye

Sales Office :Haluk Türksöy Arkası Sok. No:2 K:1 D:3  
Altunizade / Üsküdar / İstanbul TR-34662

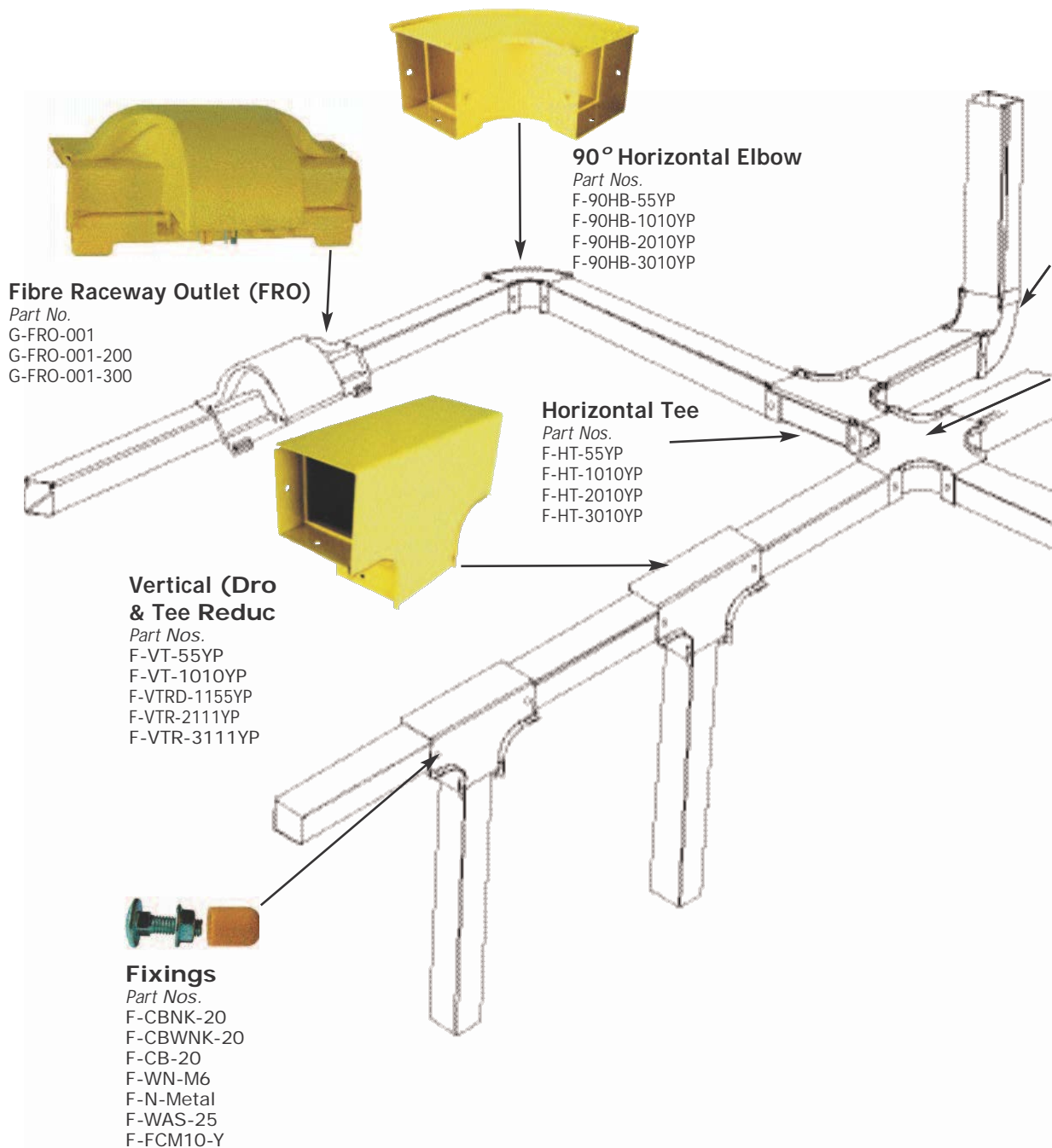
Tel : +90(216) 474 13 14  
Fax : +90(216) 474 76 77  
E-mail : info@gigacom-tr.com  
Web : www.gigacom-tr.com

organising fibrespace



# The Gigaduct System

## System Overview





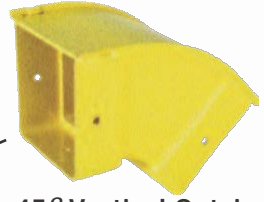
### 90° Vertical Inside (up) Elbow

Part Nos.  
OVIB-55YP  
OVIB-1010YP  
OVIB-2010YP  
OVIB-3010YP



### 4 Way Cross

Part Nos.  
F-4WC-5555YP  
F-4WC-1111YP  
F-4WC-2121YP  
F-4WC-3131YP



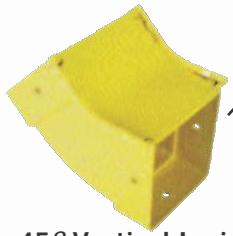
### 45° Vertical Outside Elbow

Part Nos.  
F45VOB-55YP  
F-45VOB-1010YP  
F-45VOB-2010YP  
F-45VOB-3010YP



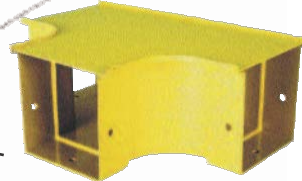
### Duct and Lid 1.8m lengths (Slotted Duct also available)

Part Nos.  
F-SDWL18-55YP  
F-SD18WL-1010YP  
F-SDWL18-2010YP  
F-SDWL18-3010YP



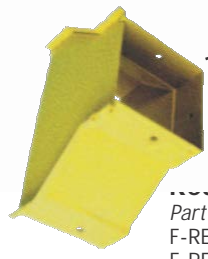
### 45° Vertical Inside (up) Elbow

Part Nos.  
F-45VIB-55YP  
F-45VIB-1010YP  
F-45VIB-2010YP



### Horizontal Tee & Tee Reducer

Part Nos.  
F-HT-55YP  
F-HT-1010YP  
F-HT-2010YP  
F-HT-3010YP  
F-HTR-1155YP  
F-HTR-2111YP



Part Nos.  
F-RE-1155YP  
F-RE-2111YP  
F-RE-3111YP  
F-RE-3100YP

Contact information:

Gigacom Türkiye

Sales Office :Haluk Türksoy Arkası Sok. No:2 K:1 D:3  
Altunizade / Üsküdar / İstanbul TR-34662

Tel : +90(216) 474 13 14  
Fax : +90(216) 474 76 77  
E-mail : info@gigacom-tr.com  
Web : www.gigacom-tr.com

# Table of Contents

## Section

1. Duct
2. Horizontal Elbows
3. Vertical Elbows
4. Tee's & Tee Reducers
5. 4 Way Cross
6. Reducers
7. End Fittings
8. Splices
9. Excess Fibre Storage Unit
10. Fibre Raceway Outlet
11. Converters
12. Brackets and Fixings
13. Labels



Contact information:

Gigacom Türkiye

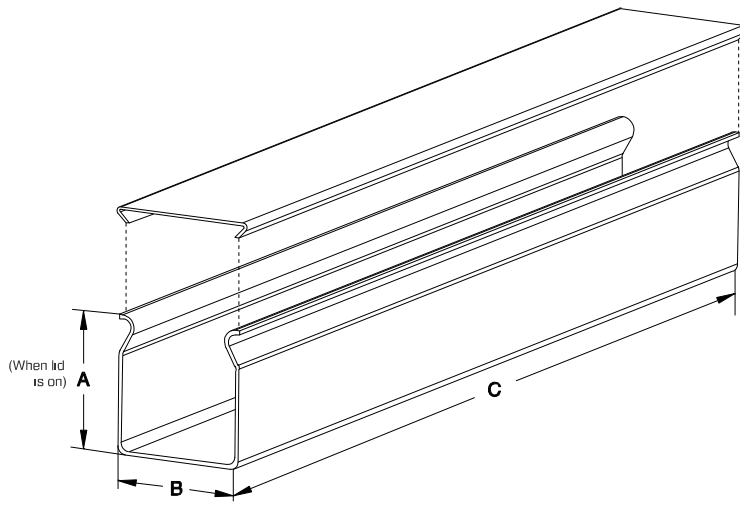
Sales Office :Haluk Türksöy Arkası Sok. No:2 K:1 D:3  
Altunizade / Üsküdar / İstanbul TR-34662

Tel : +90(216) 474 13 14  
Fax : +90(216) 474 76 77  
E-mail : info@gigacom-tr.com  
Web : www.gigacom-tr.com



## Duct 1.8m

Part Number		A	B	C
F-SDWL18-55YP	50 x 50	50	50	1800*
F-SDWL18-1010YP	100 x 100	100	100	1800
F-SDWL18-2010YP	200 x 100	100	200	1800
F-SDWL18-3010YP	300 x 100	100	300	1800



\* Also available in 2000mm  
 Material: UL94/V0, Zero Halogen.  
 Colour: Standard yellow.  
 Other colours on request.  
 All dimensions are for reference only.  
 Finish: Smooth  
 Dimensions in mm.



Contact information:

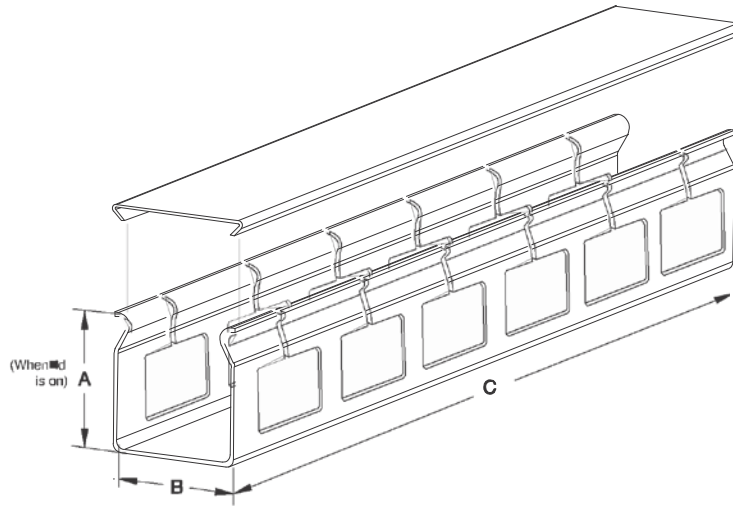
Gigacom Türkiye

Sales Office :Haluk Türksöy Arkası Sok. No:2 K:1 D:3  
 Altunizade / Üsküdar / İstanbul TR-34662

Tel : +90(216) 474 13 14  
 Fax : +90(216) 474 76 77  
 E-mail : info@gigacom-tr.com  
 Web : www.gigacom-tr.com

## Slotted Duct 1.8m

Part Number	Pitch	A	B	C
F-SDC18-55-YP 50 x 50	100	50	50	1800*
F-SD50C18-55-YP 50 x 50	50	50	50	1800*
F-SDC18-1010-YP 100 x 100	100	100	100	1800
F-SD50C-1010YP 100 x 100	50	100	100	1800



\* Also available in 2000mm  
 Cut out size: 50 x 50mm - 25mm (h) x 32mm(w)  
 100 x 100mm - 70mm (h) x 32mm(w)

The number of cut outs is proportional to duct size and pitch.

Material: UL94/V0, Zero Halogen.  
 Colour: Standard yellow.  
 Other colours on request.  
 All dimensions are for reference only.  
 Finish: Smooth  
 Dimensions in mm.



Contact information:

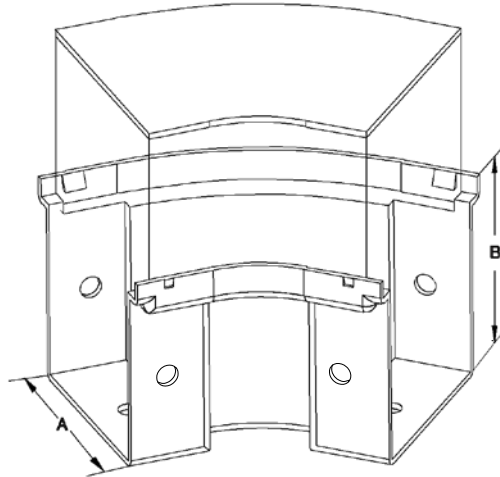
Gigacom Türkiye

Sales Office :Haluk Türksoy Arkası Sok. No:2 K:1 D:3  
 Altunizade / Üsküdar / İstanbul TR-34662

Tel : +90(216) 474 13 14  
 Fax : +90(216) 474 76 77  
 E-mail : info@gigacom-tr.com  
 Web : www.gigacom-tr.com

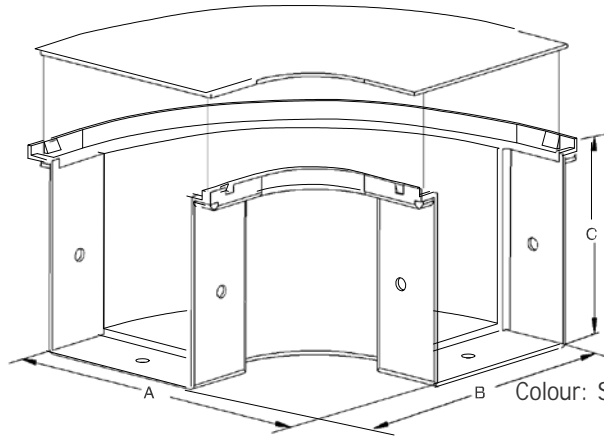
## 45° Horizontal Elbow

Part Number	A	B
F-45HB-55YP 50 x 50	60	65
F-45HB-1010YP 100 x 100	110	110
F-45HB-2010YP 200 x 100	210	110
F-45HB-3010YP 300 x 100	310	110



## 90° Horizontal Elbow

Part Number	A	B	C
F-90HB-55YP 50 x 50	130	130	65
F-90HB-1010YP 100 x 100	195	195	110
F-90HB-2010YP 200 x 100	340	340	110
F-90HB-3010YP 300 x 100	440	440	110



### Notes: relating all products

Material: UL94/V0, Zero Halogen.

Colour: Standard yellow. Other colours on request.

All dimensions are for reference only.

Finish: all outside surfaces have a haircell texture.

All parts have predrilled fastening holes.

Dimensions in mm.



Contact information:

Gigacom Türkiye

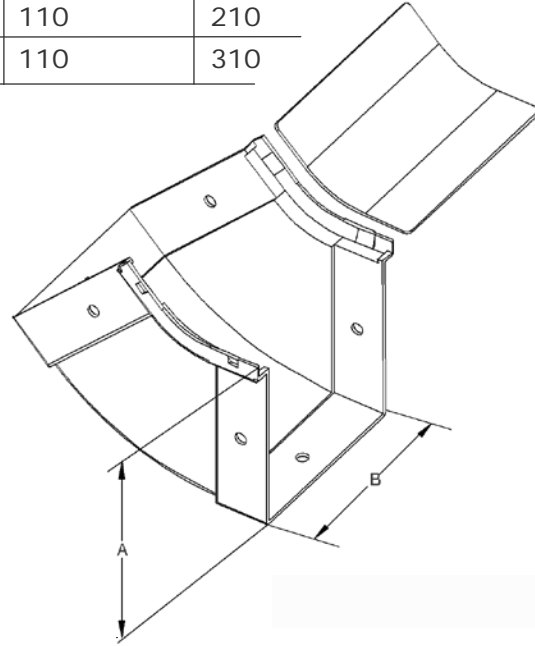
Sales Office :Haluk Türksöy Arkası Sok. No:2 K:1 D:3  
Altunizade / Üsküdar / İstanbul TR-34662

Tel : +90(216) 474 13 14  
Fax : +90(216) 474 76 77  
E-mail : info@gigacom-tr.com  
Web : www.gigacom-tr.com



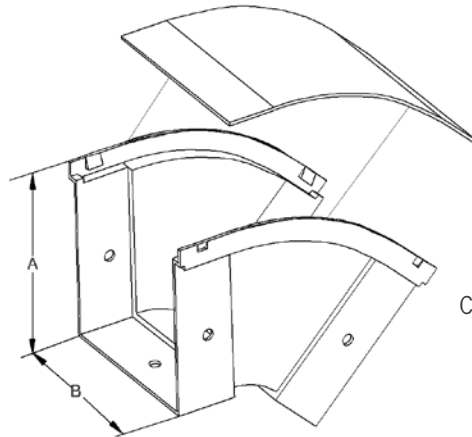
## 45° Vertical Inside (up) Elbow

Part Number	A	B
F-45VIB-55YP 50 x 50	60	60
F-45VIB-1010YP 100 x 100	110	110
F-45VIB-2010YP 200 x 100	110	210
F-45VIB-3010YP 300 x 100	110	310



## 45° Vertical Outside (down) Elbow

Part Number	A	B
F-45VOB-55YP 50 x 50	60	60
F-45VOB-1010YP 100 x 100	110	110
F-45VOB-2010YP 200 x 100	110	210
F-45VOB-3010YP 300 x 100	110	310



### Notes: relating all products

Material: UL94/V0, Zero Halogen.  
 Colour: Standard yellow. Other colours on request.  
 All dimensions are for reference only.  
 Finish: all outside surfaces have a haircell texture.  
 All parts have predrilled fastening holes.  
 Dimensions in mm.



Contact information:

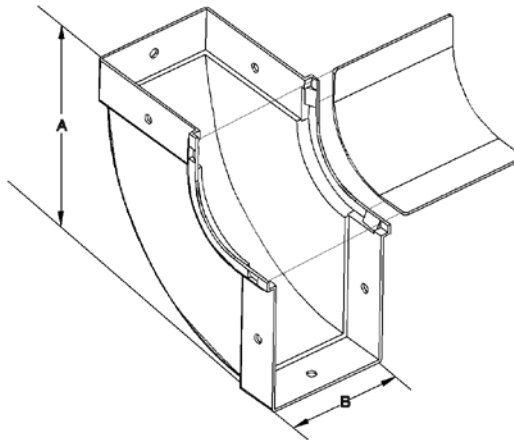
Gigacom Türkiye

Sales Office :Haluk Türksöy Arkası Sok. No:2 K:1 D:3  
 Altunizade / Üsküdar / İstanbul TR-34662

Tel : +90(216) 474 13 14  
 Fax : +90(216) 474 76 77  
 E-mail : info@gigacom-tr.com  
 Web : www.gigacom-tr.com

## 90° Vertical Inside (up) Elbow

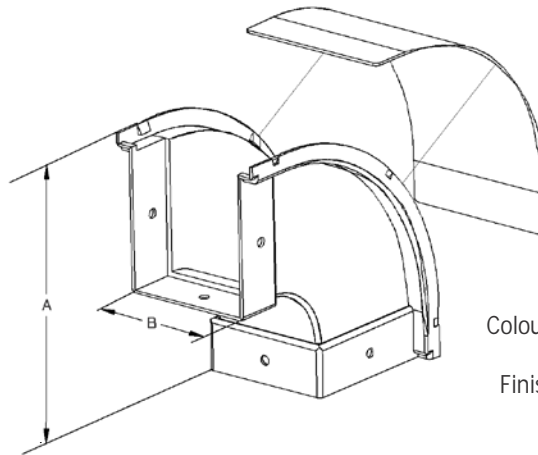
Part Number	A	B
F-90VIB-55YP 50 x 50	125	60
F-90VIB-1010YP 100 x 100	190	110
F-90VIB-2010YP 200 x 100	190	210*
F-90VIB-3010YP 300 x 100	190	310*



\* Made in factory from 2 x 45° bend and fitting splice

## 90° Vertical Outside (down) Elbow

Part Number	A	B
F-90VOB-55YP 50 x 50	125	60
F-90VOB-1010YP 100 x 100	190	100
F-90VOB-2010YP 200 x 100	190	210*
F-90VOB-3010YP 300 x 100	190	310*



\* Made in factory from 2 x 45° bend and fitting splice

### Notes: relating all products

Material: UL94/V0, Zero Halogen.  
 Colour: Standard yellow. Other colours on request.  
 All dimensions are for reference only.  
 Finish: all outside surfaces have a haircell texture.  
 All parts have predrilled fastening holes.  
 Dimensions in mm.



Contact information:

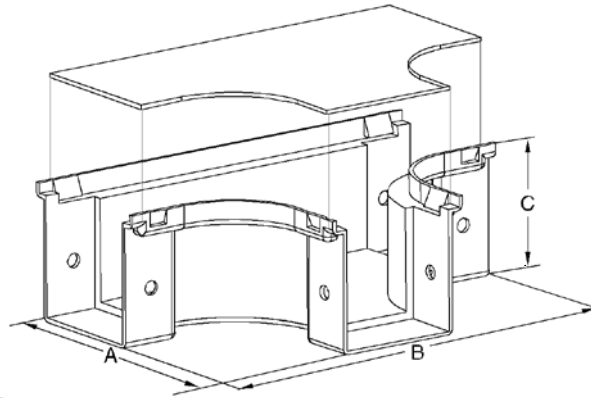
Gigacom Türkiye

Sales Office :Haluk Türksöy Arkası Sok. No:2 K:1 D:3  
 Altunizade / Üsküdar / İstanbul TR-34662

Tel : +90(216) 474 13 14  
 Fax : +90(216) 474 76 77  
 E-mail : info@gigacom-tr.com  
 Web : www.gigacom-tr.com

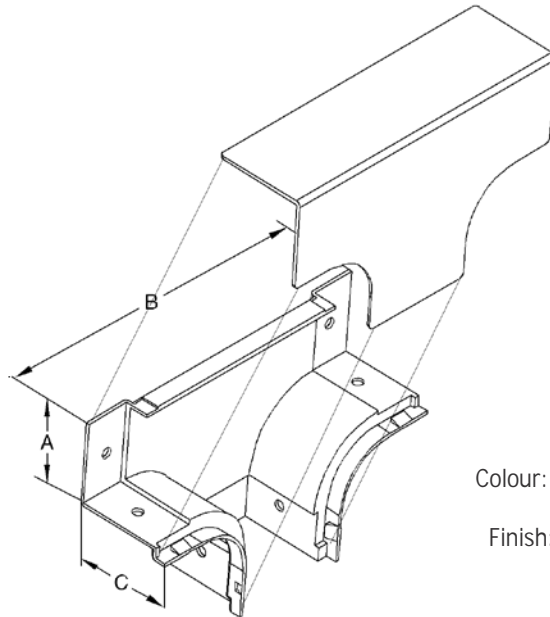
## Horizontal Tee

Part Number	A	B	C
F-HT-55YP 50 x 50	130	210	60
F-HT-1010YP 100 x 100	200	280	110
F-HT-2010YP 200 x 100	340	470	110
F-HT-3010YP 300 x 100	440	570	110



## Vertical Tee

Part Number	A	B	C
F-VT-55YP 50 x 50	60	195	60
F-VT-1010YP 100 x 100	110	370	110



**Notes: relating all products**

Material: UL94/V0, Zero Halogen.  
 Colour: Standard yellow. Other colours on request.  
 All dimensions are for reference only.  
 Finish: all outside surfaces have a haircell texture.  
 All parts have predrilled fastening holes.  
 Dimensions in mm.



Contact information:

Gigacom Türkiye

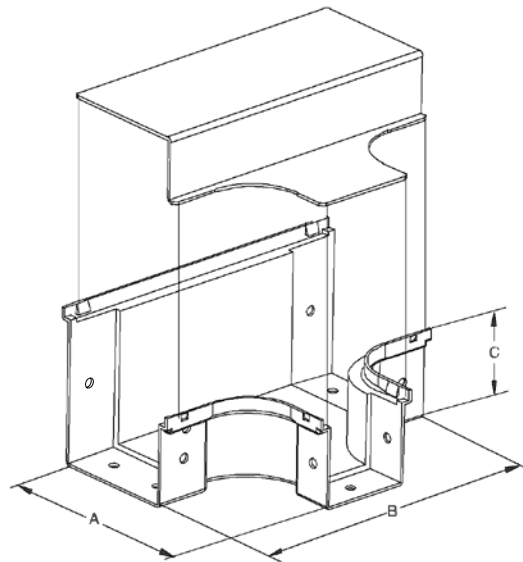
Sales Office :Haluk Türksöy Arkası Sok. No:2 K:1 D:3  
 Altunizade / Üsküdar / İstanbul TR-34662

Tel : +90(216) 474 13 14  
 Fax : +90(216) 474 76 77  
 E-mail : info@gigacom-tr.com  
 Web : www.gigacom-tr.com



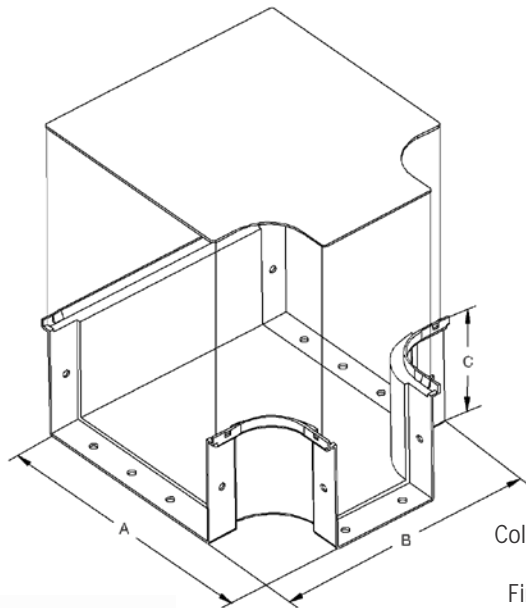
## 100 to 50mm Horizontal Tee Reducer

Part Number	A	B	C
F-HTR-1155YP 100 x 100	180	235	110



## 200 to 100mm Horizontal Tee Reducer

Part Number	A	B	C
F-HTR-2111YP 200 x 100	270	270	110



**Notes: relating all products**

Material: UL94/V0, Zero Halogen.  
 Colour: Standard yellow. Other colours on request.  
 All dimensions are for reference only.  
 Finish: all outside surfaces have a haircell texture.  
 All parts have predrilled fastening holes.  
 Dimensions in mm.



Contact information:

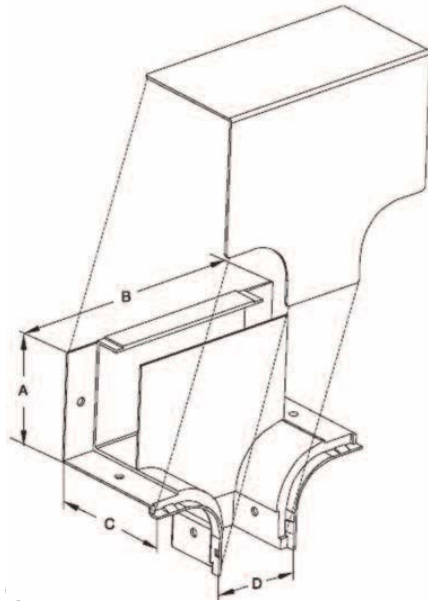
Gigacom Türkiye

Sales Office :Haluk Türksöy Arkası Sok. No:2 K:1 D:3  
 Altunizade / Üsküdar / İstanbul TR-34662

Tel : +90(216) 474 13 14  
 Fax : +90(216) 474 76 77  
 E-mail : info@gigacom-tr.com  
 Web : www.gigacom-tr.com

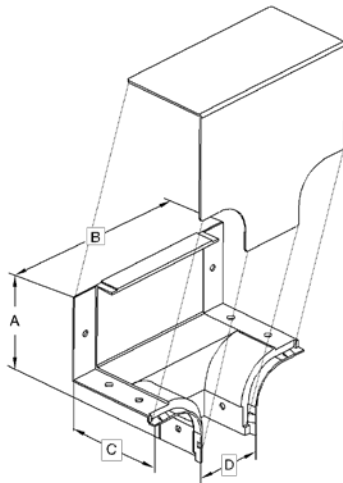
## Vertical Tee Reducer 100 to 50mm

Part Number	A	B	C	D
F-VTRD-1155YP 100 to 50	110	280	110	55



## Vertical Tee Reducers 300 to 100mm & 200 to 100mm

Part Number	A	B	C	D
F-VTR-2111YP 200 to 100	110	240	210	110
F-VTR-3111YP 300 to 100	240	370	310	110



### Notes: relating all products

Material: UL94/V0, Zero Halogen.  
 Colour: Standard yellow. Other colours on request.  
 All dimensions are for reference only.  
 Finish: all outside surfaces have a haircell texture.  
 All parts have predrilled fastening holes.  
 Dimensions in mm.



Contact information:

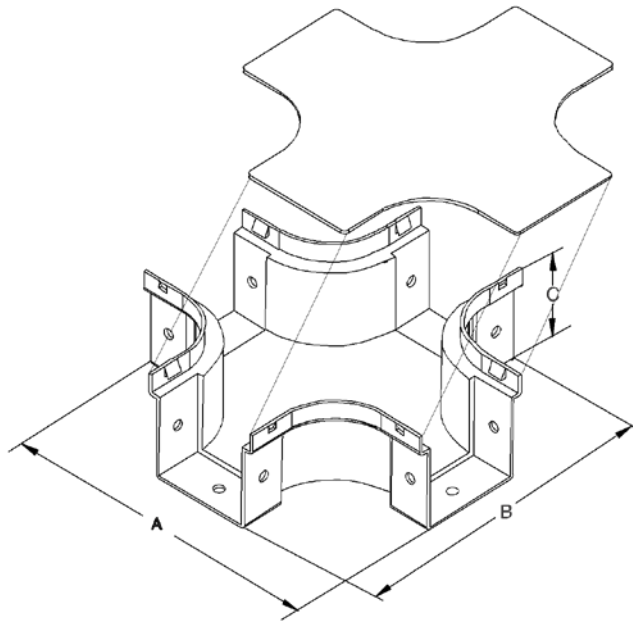
Gigacom Türkiye

Sales Office :Haluk Türksöy Arkası Sok. No:2 K:1 D:3  
 Altunizade / Üsküdar / İstanbul TR-34662

Tel : +90(216) 474 13 14  
 Fax : +90(216) 474 76 77  
 E-mail : info@gigacom-tr.com  
 Web : www.gigacom-tr.com

## 4 Way Cross

Part Number	A	B	C
F-4WC-5555YP 50 x 50	195	195	65
F-4WC-1111YP 100 x 100	275	275	110
F-4WC-2121YP 200 x 200	470	470	110
F-4WC-3131YP 300 x 100	570	570	110



**Notes: relating all products**

Material: UL94/V0, Zero Halogen.  
 Colour: Standard yellow. Other colours on request.  
 All dimensions are for reference only.  
 Finish: all outside surfaces have a haircell texture.  
 All parts have predrilled fastening holes.  
 Dimensions in mm.



Contact information:

Gigacom Türkiye

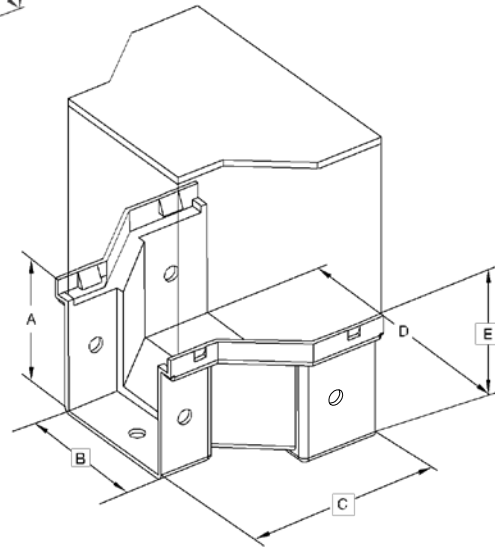
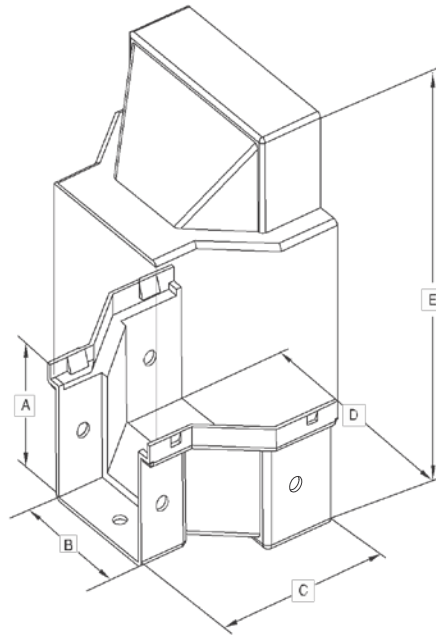
Sales Office :Haluk Türksöy Arkası Sok. No:2 K:1 D:3  
 Altunizade / Üsküdar / İstanbul TR-34662

Tel : +90(216) 474 13 14  
 Fax : +90(216) 474 76 77  
 E-mail : info@gigacom-tr.com  
 Web : www.gigacom-tr.com



## Reducers

Part Number	A	B	C	D	E
F-RE-1155YP 100 to 50	60	60	90	100	110
F-RE-2111YP 200 to 100	110	110	150	210	110
F-RE-3121YP 300 to 200	110	210	150	310	110
F-RE-3111YP 300 to 100	110	110	150	310	110



200mm and 300mm  
Reducers look the same

### Notes: relating all products

Material: UL94/V0, Zero Halogen.  
Colour: Standard yellow. Other colours on request.  
All dimensions are for reference only.  
Finish: all outside surfaces have a haircell texture.  
All parts have predrilled fastening holes.  
Dimensions in mm.



Contact information:

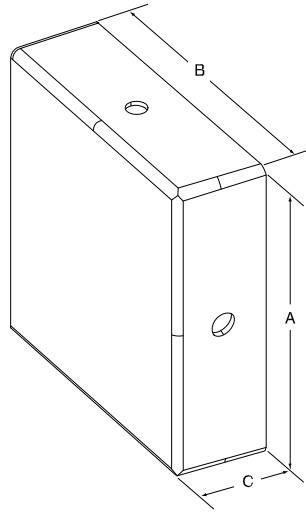
Gigacom Türkiye

Sales Office :Haluk Türksoy Arkası Sok. No:2 K:1 D:3  
Altunizade / Üsküdar / İstanbul TR-34662

Tel : +90(216) 474 13 14  
Fax : +90(216) 474 76 77  
E-mail : info@gigacom-tr.com  
Web : www.gigacom-tr.com

## End Cap

Part Number	A	B	C
F-EC-55YP 50 x 50	60	60	30
F-EC-1010YP 100 x 100	110	110	30
F-EC-2010YP 200 x 100	110	210	30
F-EC-3010YP 300 x 100	110	310	30



**Notes: relating all products**

Material: UL94/V0, Zero Halogen.  
Colour: Standard yellow. Other colours on request.  
All dimensions are for reference only.  
Finish: all outside surfaces have a haircell texture.  
All parts have predrilled fastening holes.  
Dimensions in mm.



**Contact information:**

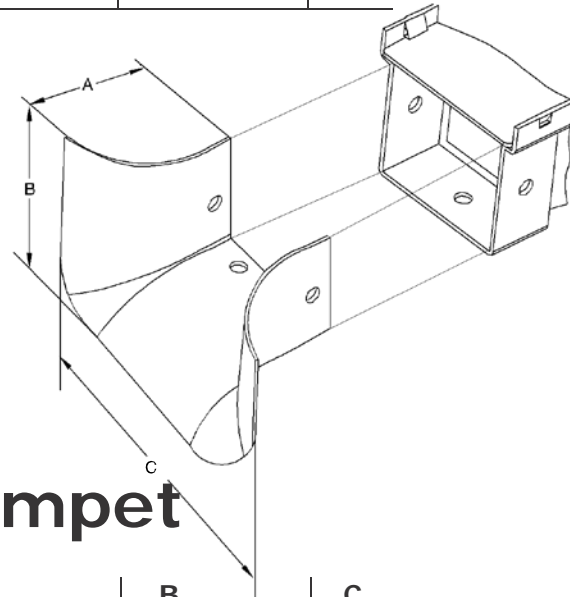
Gigacom Türkiye

Sales Office :Haluk Türksoy Arkası Sok. No:2 K:1 D:3  
Altunizade / Üsküdar / İstanbul TR-34662

Tel : +90(216) 474 13 14  
Fax : +90(216) 474 76 77  
E-mail : info@gigacom-tr.com  
Web : www.gigacom-tr.com

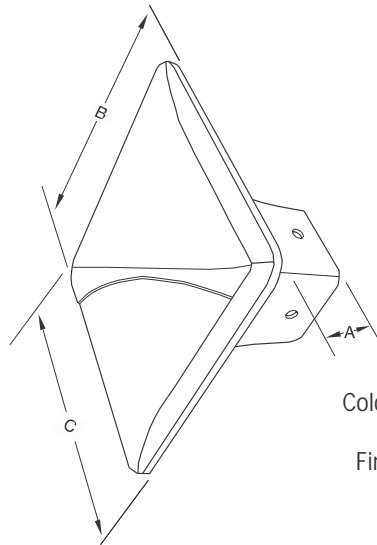
## Trumpet

Part Number	A	B	C
F-TR-55YP 50 x 50	90	100	100
F-TR-1010YP 100 x 100	90	150	195
F-TR-2010YP 200 x 100	90	150	295



## 4 Sided Trumpet

Part Number	A	B	C
F-TR4-55YP 50 x 50	90	135	135
F-TR4-1010YP 100 x 100	90	195	195
F-TR4-2010YP 200 x 100	90	195	295



### Notes: relating all products

Material: UL94/V0, Zero Halogen.  
 Colour: Standard yellow. Other colours on request.  
 All dimensions are for reference only.  
 Finish: all outside surfaces have a haircell texture.  
 All parts have predrilled fastening holes.  
 Dimensions in mm.



Contact information:

Gigacom Türkiye

Sales Office :Haluk Türksöy Arkası Sok. No:2 K:1 D:3  
 Altunizade / Üsküdar / İstanbul TR-34662

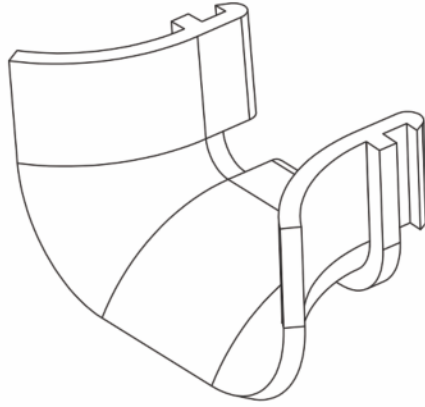
Tel : +90(216) 474 13 14  
 Fax : +90(216) 474 76 77  
 E-mail : info@gigacom-tr.com  
 Web : www.gigacom-tr.com



# Slotted Channel Trumpet

## Part Number

F-SDCTR-50 50 x 50\*



\* Suitable for 100mm and 50mm  
slotted duct

### Notes: relating all products

Material: UL94/V0, Zero Halogen.  
Colour: Standard yellow. Other colours on request.  
All dimensions are for reference only.  
Finish: all outside surfaces have a haircell texture.  
All parts have predrilled fastening holes.  
Dimensions in mm.



#### Contact information:

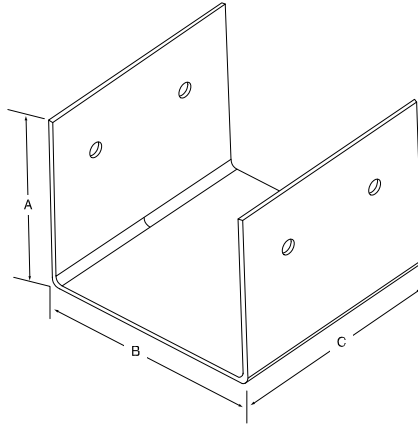
Gigacom Türkiye

Sales Office :Haluk Türksöy Arkası Sok. No:2 K:1 D:3  
Altunizade / Üsküdar / İstanbul TR-34662

Tel : +90(216) 474 13 14  
Fax : +90(216) 474 76 77  
E-mail : info@gigacom-tr.com  
Web : www.gigacom-tr.com

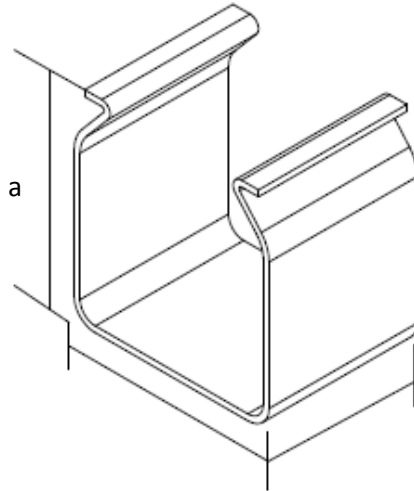
## Ducting Splice

Part Number	A	B	C
F-DS-55YP 50 x 50	35	60	70
F-DS-1010YP 100 x 100	75	110	100
F-DS-2010YP 200 x 100	75	210	100
F-DS-3010YP 300 x 100	75	310	100



## Fitting Splice

Part Number	A	B	C
F-FS-55YP 50 x 50	50	50	50
F-FS-1010YP 100 x 100	90	100	70
F-FS-2010YP 200 x 100	90	200	70
F-FS-3010YP 300 x 100	90	300	70



### Notes: relating all products

- Material: UL94/V0, Zero Halogen.
  - Standard yellow. Other colours on request.
  - All dimensions are for reference only.
  - all outside surfaces have a haircell texture.
  - All parts have predrilled fastening holes.
- Dimensions in mm.



Contact information:

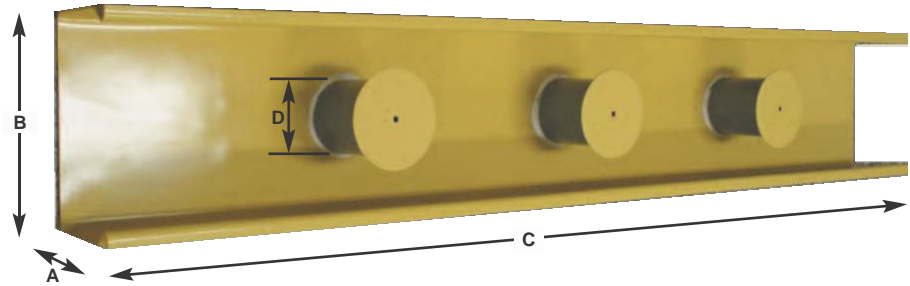
Gigacom Türkiye

Sales Office :Haluk Türksoy Arkası Sok. No:2 K:1 D:3  
Altunizade / Üsküdar / İstanbul TR-34662

Tel : +90(216) 474 13 14  
Fax : +90(216) 474 76 77  
E-mail : info@gigacom-tr.com  
Web : www.gigacom-tr.com

## Excess Fibre Storage Duct

Part Number	A	B	C	D
F-EFSD-2010YP 200 x 100	100	200	1200	80



### Notes: relating all products

Material: UL94/V0, Zero Halogen.  
 Colour: Standard yellow. Other colours on request.  
 All dimensions are for reference only.  
 Finish: all outside surfaces have a haircell texture.  
 All parts have predrilled fastening holes.  
 Dimensions in mm.



### Contact information:

Gigacom Türkiye

Sales Office :Haluk Türksoy Arkası Sok. No:2 K:1 D:3  
 Altunizade / Üsküdar / İstanbul TR-34662

Tel : +90(216) 474 13 14  
 Fax : +90(216) 474 76 77  
 E-mail : info@gigacom-tr.com  
 Web : www.gigacom-tr.com



## Fibre Raceway Outlet

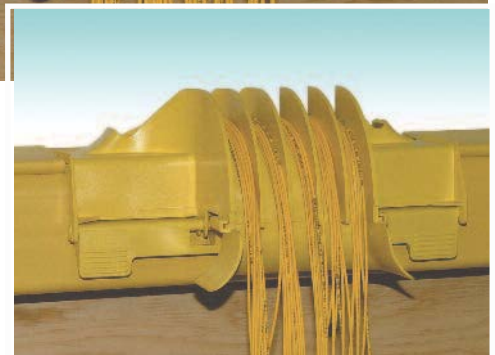
GigaCom introduces a non-intrusive fibre optic ducting outlet. The first in a series of revolutionary components, the Fibre Raceway Outlet (FRO) is simply and easily placed over the sidewall of any new or existing channel to create a vertical drop-off from a horizontal run.

With full radius control, the fibre outlet safely routes fibres to and from equipment bays or distribution frames.

Unlike most other products, the low-profile, fibre outlet is truly installed with **no** tools, not even a screwdriver! With only a 50mm profile above the channel's edge, it can be placed anywhere along the sidewall of straight channels.

The differences don't stop there. The outlet and its accessories were created using flame-retardant engineered plastics that not only meets the Bellcore NEBS specification, but also meets the zero-halogen requirements of the European community. All of which makes it a true worldwide solution.

The outlet has a unique two-piece cover with a hinged rear portion that allows users to access express fibres that bypass the outlet, without having to remove the main cover. So express fibres can be added, moved or changed without ever disturbing the fibres inside the outlet.



### Key Features

- No cutting required
- No tools needed
- Total radius control
- Meets UL94V-0
- Zero-halogen material
- Low profile
- Mates with 100mm, 200mm & 300mm (4", 6", & 12") channels
- Snap-on covers
- Express fibre hinged cover
- Trumpet flare option
- 50mm x 50mm (2" x 2") and 100mm x 100mm (4" x 4") vertical adapters
- Flex-tube adapter options



Contact information:

Gigacom Türkiye

Sales Office :Haluk Türksoy Arkası Sok. No:2 K:1 D:3  
Altunizade / Üsküdar / İstanbul TR-34662

Tel : +90(216) 474 13 14  
Fax : +90(216) 474 76 77  
E-mail : info@gigacom-tr.com  
Web : www.gigacom-tr.com

## Fibre Raceway Outlet

### Ordering Information

Available in 3 versions 100mm, 200mm and 300mm

**F-FDT-1010YP - G-FRO-001**

**F-FDT-2010YP - G-FRO-001-200**

**F-FDT-3010YP - G-FRO-001-300**

Fibre Raceway Outlet. Includes outlet with tool-free cam lock, main cover and hinging express fibre cover.

**G-FRO-TMP** Trumpet for outlet opening

**G-FRO-2AD** 50mm x 50mm adapter with cover

**G-FRO-2FT** 50mm x 50mm adapter to 32mm flex tube.

**G-FRO-78FT** 50mm x 50mm adapter to 50mm flex tube.

**G-FRO-4AD** 100 x 100mm adapter with cover.

**G-FRO-4FT** 100 x 100mm adapter to two 32mm flex tube.

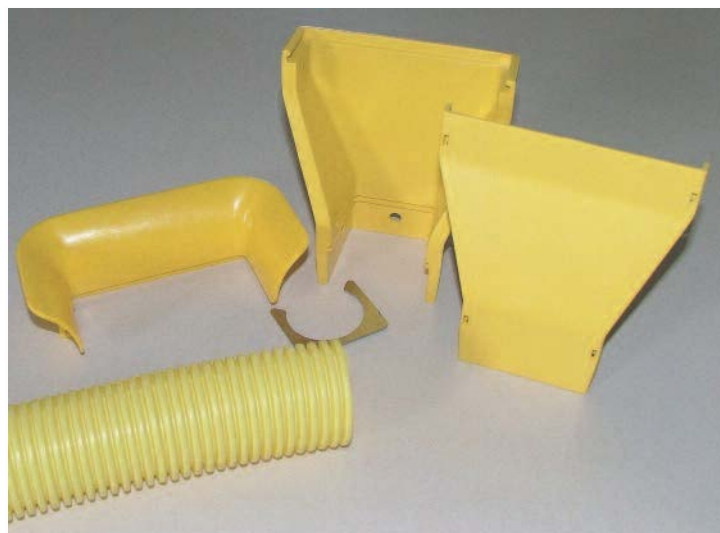
*Tube/Split Tube also available.*

### Product Specifications

Fibre Capacity 200 3mm fibres

Flammability Rating UL94V-0

Oxygen Index (LOI) 36%



Contact information:

Gigacom Türkiye

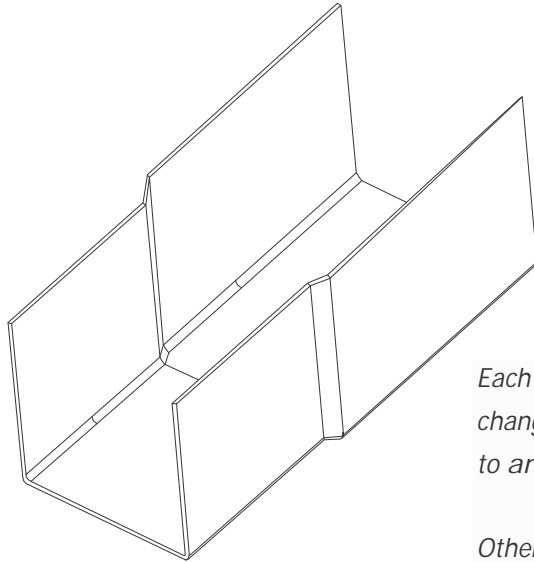
Sales Office :Haluk Türksoy Arkası Sok. No:2 K:1 D:3  
Altunizade / Üsküdar / İstanbul TR-34662

Tel : +90(216) 474 13 14  
Fax : +90(216) 474 76 77  
E-mail : info@gigacom-tr.com  
Web : www.gigacom-tr.com



## Converters

Part Number	From Gigaduct to:
F-ADAC-1010YP	Gigaduct 100mm to ADC 6" Converter Duct to Duct with ADC Connector
F-ADTE-1010YP	Gigaduct 100mm to Telect 100mm Converter Duct to Duct with Telect Connector
F-ADWB-1010YP	Gigaduct 100mm to Warren and Brown/Ray Duct 100mm
F-ADWB-55YP	Gigaduct 50mm to Warren and Brown/Ray Duct 50mm



*Each converter is engineered to accept changes in profile from one product to another.*

*Other connector adaptors are available.*

### Notes: relating all products

Material: UL94/V0, Zero Halogen.

Colour: Standard yellow. Other colours on request.

All dimensions are for reference only.

Finish: all outside surfaces have a haircell texture.

All parts have predrilled fastening holes.

Dimensions in mm.



#### Contact information:

Gigacom Türkiye

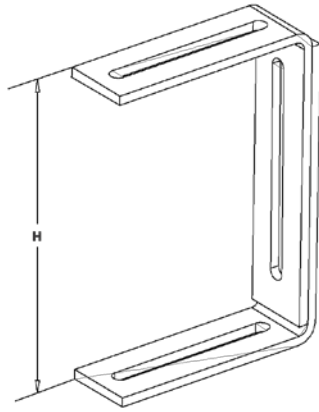
Sales Office :Haluk Türksöy Arkası Sok. No:2 K:1 D:3  
Altunizade / Üsküdar / İstanbul TR-34662

Tel : +90(216) 474 13 14  
Fax : +90(216) 474 76 77  
E-mail : info@gigacom-tr.com  
Web : www.gigacom-tr.com

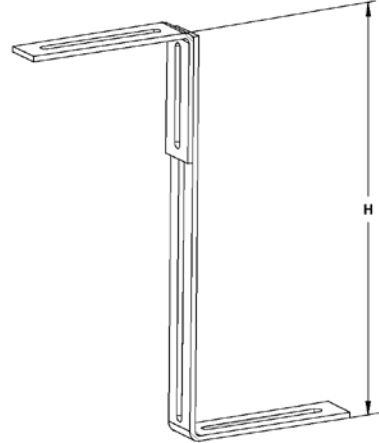


## Universal Bracket Kits

Part Number	Description	Min	Max
F-UBKS-5511	Bracket Kit Short	134	224
F-UBKM-5511	Bracket Kit Medium	130	370
F-UBKL-5511	Bracket Kit Long	370	600



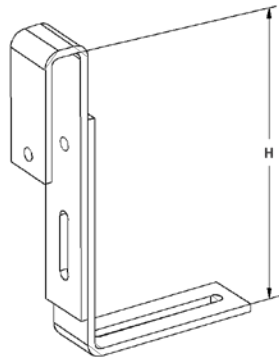
Short & short universal bracket  
in floor mounting mode



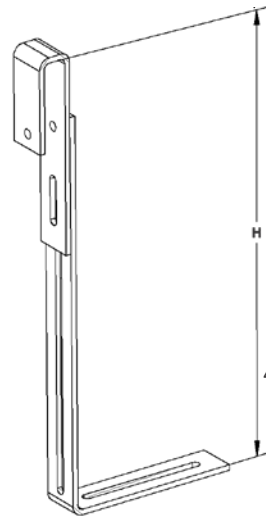
Short & long universal bracket  
in ceiling mounting mode

## Ladder Rack Bracket Kits

Part Number	Description	Min	Max
F-LRKS-5511	Bracket Kit Short	113	233
F-LRKL-5511	Bracket Kit Long	100	265



Ladder Rack bracket  
with short universal bracket



Ladder Rack bracket  
with long universal bracket

Material: Mild Steel,  
4mm thick x 25mm wide  
Zinc Plated and  
Passivated.  
All dimensions are for  
reference only.  
Dimensions in mm.



Contact information:

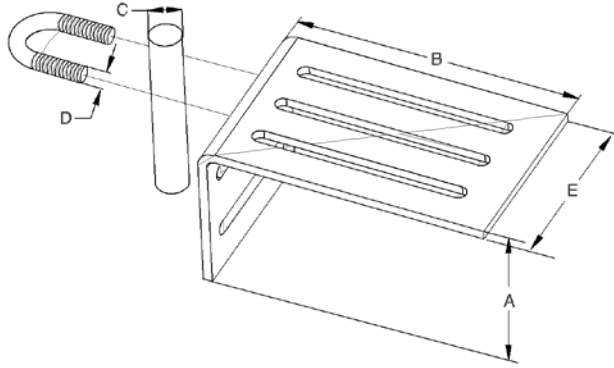
Gigacom Türkiye

Sales Office :Haluk Türksoy Arkası Sok. No:2 K:1 D:3  
Altunizade / Üsküdar / İstanbul TR-34662

Tel : +90(216) 474 13 14  
Fax : +90(216) 474 76 77  
E-mail : info@gigacom-tr.com  
Web : www.gigacom-tr.com

## Under Floor Mounting Kit

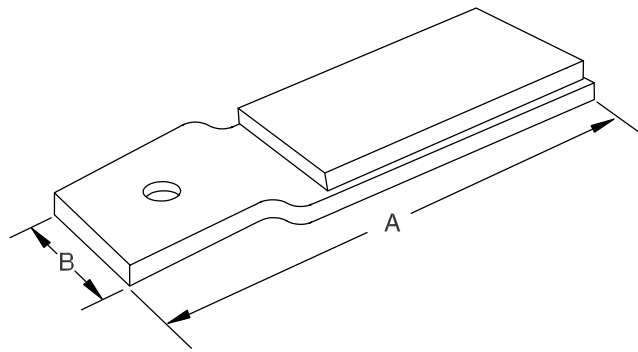
Part Number	A	B	C	D	E
F-UFMK-5511	70	130	25 MAX	M6	75
F-UFMK-5511L	70	230	25 MAX	M6	75



Other U Bolts are available

## Direct Ladder Rack Mounting Bracket

Part Number	A	B
F-DLRB-100	100	25



Material: Mild Steel,  
Zinc Plated and  
Passivated.  
All dimensions are for  
reference only.  
Dimensions in mm.



Contact information:

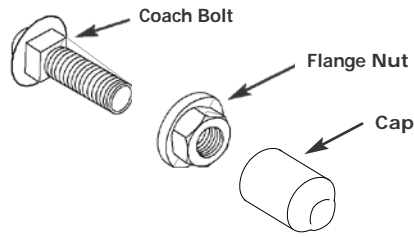
Gigacom Türkiye

Sales Office :Haluk Türksöy Arkası Sok. No:2 K:1 D:3  
Altunizade / Üsküdar / İstanbul TR-34662

Tel : +90(216) 474 13 14  
Fax : +90(216) 474 76 77  
E-mail : info@gigacom-tr.com  
Web : www.gigacom-tr.com

## Fixings

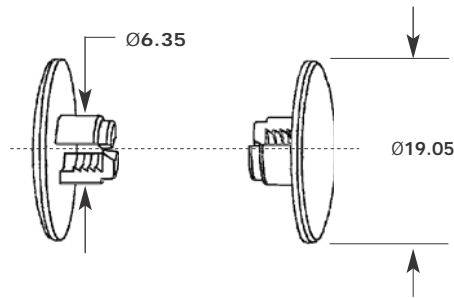
Part Number	Description
F-CBNK-20	M6 x 20mm Coach Bolt, Flange Nut Kit
F-FCM10-Y	Bolt and Nut Cap



Material: Steel, Zinc Plated and Passivated.  
 Cap: Yellow LLDPE  
 Pack Size: 100 pieces  
 All dimensions are for reference only.  
 Dimensions in mm.

## Rivets

Part Number	Description
F-PBR-B	Plastic Barbed Rivet



Material: Black Plastic.  
 Pack Size: 100 pieces.  
 All dimensions are for reference only.  
 Dimensions in mm.



Contact information:

Gigacom Türkiye

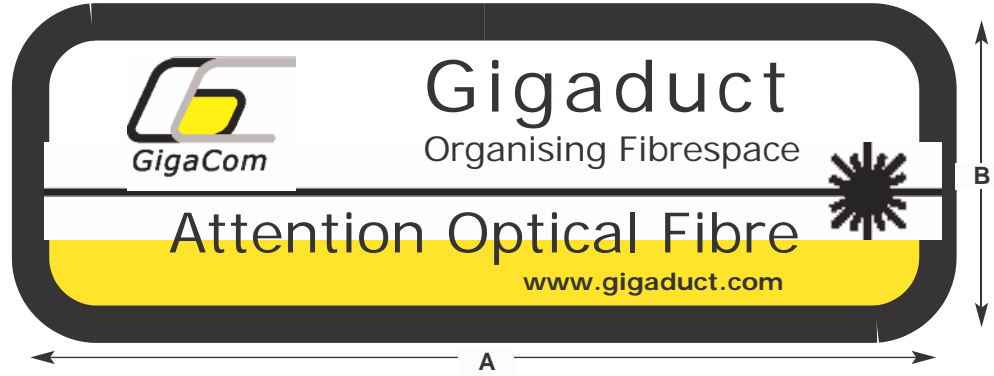
Sales Office : Haluk Türksoy Arkası Sok. No:2 K:1 D:3  
 Altunizade / Üsküdar / İstanbul TR-34662

Tel : +90(216) 474 13 14  
 Fax : +90(216) 474 76 77  
 E-mail : info@gigacom-tr.com  
 Web : www.gigacom-tr.com



## Labels

Part Number	A	B
F-LAOF-120	120	40



Material: Adhesive Vinyl  
All dimensions are for reference only.  
Finish: Smooth  
Dimensions in mm.  
Sold in sheets of 8.



Contact information:

Gigacom Türkiye

Sales Office :Haluk Türksöy Arkası Sok. No:2 K:1 D:3  
Altunizade / Üsküdar / İstanbul TR-34662

Tel : +90(216) 474 13 14  
Fax : +90(216) 474 76 77  
E-mail : info@gigacom-tr.com  
Web : www.gigacom-tr.com